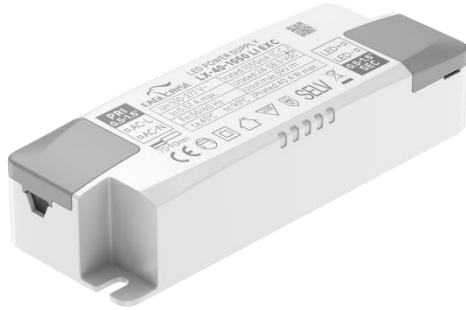


40W Constant Current power supply



■ Approve



Features

- Class II, SELV, independent
- Input Voltage 100-277VAC
- Protections: SCP/OLP/OVP/OTP
- Power Factor ≥ 0.9 @full load
- Efficiency: 84%@100VAC, 89%@277VAC
- 5 years warranty

Applications

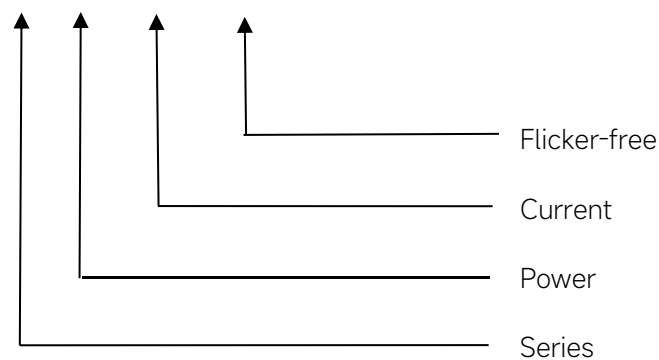
- LED panel, LED down light
- LED spot light

◆ Description

LX-40-XXX LI EXC is a 40W constant current LED driver that operates from 100-277Vac input with 600 to 1050mA output current. With it's compact dimensions from 135 x 41.2 x 25mm it is easy to integrate in LED Panel, spot, down lights. To ensure trouble-free operation, protection is provided against output short circuit and over Load.

◆ Model code

LX-40-XXX LI EXC



◆ Specification

Output	Constant Current (mA)	600	650	700	750	800	850	900	950	1000	1050	
	Voltage Range(VDC)	24-42								24-40	24-38.5	
	Unload voltage Max.(VDC)	59V										
	Current Accuracy	±5%@100-277VAC										
	Output HF current ripple(≥1KHz)	±5%										
	Output LF current ripple(≤120Hz)	±3%										
	SVM	≤0.4										
	P _{st}	≤1										
	Efficiency(Typ.)	84%@100VAC, 89%@277VAC										
Input	Rated input voltage	100-277VAC										
	Range of input voltage	90-305VAC										
	Maximum voltage	380VAC@1 h maximum,unit might not operate in this abnormal condition										
	Frequency(Hz)	50/60 Hz										
	Displacement factor(Typ.)	≥0.9@full load										
	Power Factor	≥0.9@full load										
	Input Current max	0.57A										
	Start-up time	< 0.5S										
	No Load Power	≤0.5W										
	THD (Typ.)	< 15%								< 10%		
Protection	Over Load Protection	103-130%										
		YES/Auto Resume										
	Over Voltage Protection	59VDC										
	YES/Auto Resume											
	Short circuit Protection	YES/Auto Resume										
capability	Surge capability (L-N)	1KV										
	Surge capability (L/N-Ground)	NA										
Environment	Operating Temperature	-20°C~+45°C										
	Humidity	20%-90%RH										
	T _c	80°C				85°C			90°C			
	Storage Temperature	-30°C~+80°C										
	Life time	> 50000h@T _c =80°C										
	Noise	≤20dB(A)@10cm										
Surface	Dimension	135x41.2x25mm										
	material	PC										
Standards	Safety	GB19510. 1, GB19510. 14;IEC61347- 1, IEC61347-2- 13;EN61347- 1, EN61347-2-13;EN62384;UL 8750; UI1310										
	EMC	GB/T17743, GB17625. 1;EN55015, EN61000-3-2, EN61000-3-3, EN61547;EN61000-4-5										

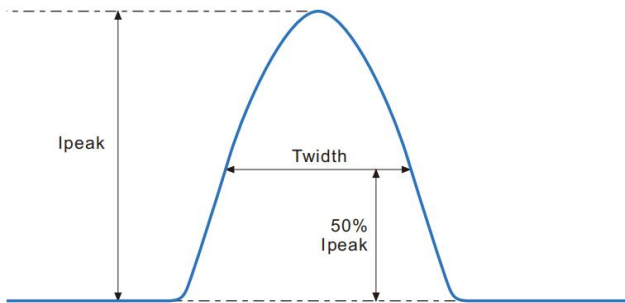
	Energy Efficiency	Erp2.0 EU 2019/2020
	RoHS	RoHS (2011/65/EU) (EU)2015/863
Note	<p>1.All parameters not specially mentioned are measured at 100-277VAC input , full load and 25°C of ambient temperature.</p> <p>2.Ripple & Noise are measured at 20MHz of bandwidth by using a 300mm twisted pair-wire terminated with a 0.1uF & 47 uF parallel capacitor.</p> <p>3.Data are typical values obtained from test samples</p> <p>4.The over-temperature protection of the product is provided by the IC.</p> <p>5.All Eaglerise power supply are complied with EMI regulations. Since they are belong to component and will be installed inside system enclosure. When they are integrated into a system, the EMI characteristics of the system must be re-verified again.</p>	

◆ Model list

Number	Model number	Input			Output			
		Voltage (VAC)	Current (A)	Frequency (Hz)	Current (mA)	Voltage (VDC)	Voltage No load (VDC)	Power (W)
1	LX-40-600 LI EXC	100-277	0.57A	50/60	600	24-42	59	25.2
2	LX-40-650 LI EXC				650			27.3
3	LX-40-700 LI EXC				700			29.4
4	LX-40-750 LI EXC				750			31.5
5	LX-40-800 LI EXC				800			33.6
6	LX-40-850 LI EXC				850			35.7
7	LX-40-900 LI EXC				900			37.8
8	LX-40-950 LI EXC				950			39.9
9	LX-40-1000 LI EXC				1000	24-40		40
10	LX-40-1050 LI EXC				1050	24-38.5		40.4

◆ Inrush Current

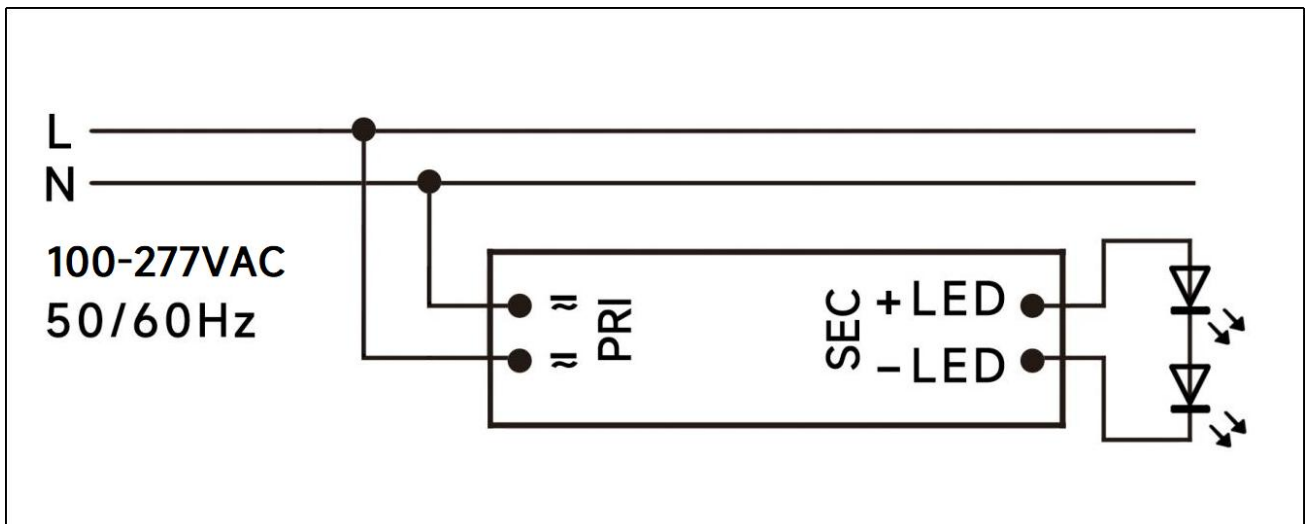
I _{peak}	T _{width}	B10	B16	B20	C10	C16	C20
40.6A	188μs	10pcs	17pcs	21pcs	14pcs	22pcs	28pcs



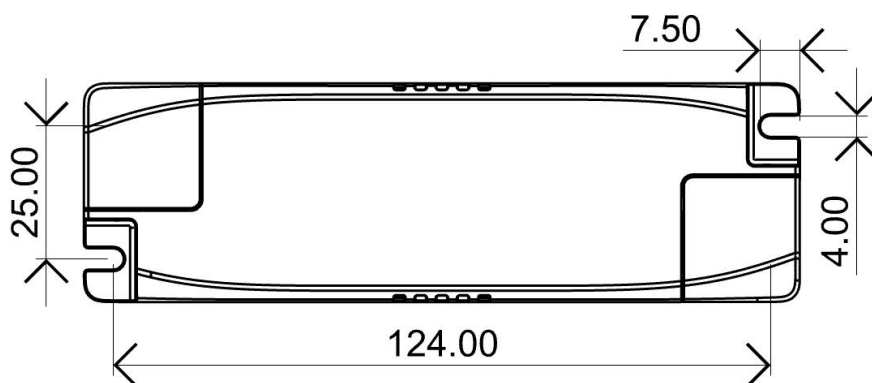
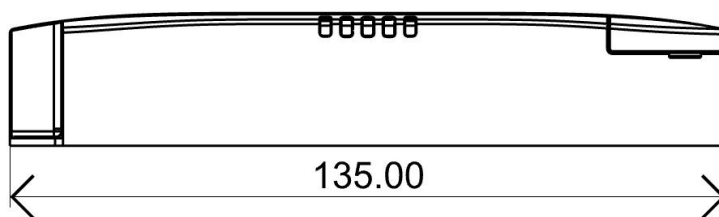
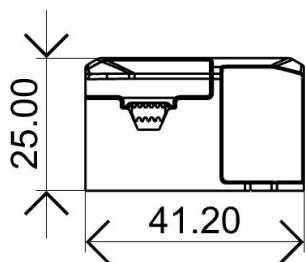
Remarks:

- 1.The number of drives mounted under different MCBs in the table is the maximum value. Please do not exceed this number during installation.
- 2.Different brands and models of miniature circuit breakers, the number of drives mounted will be slightly different.

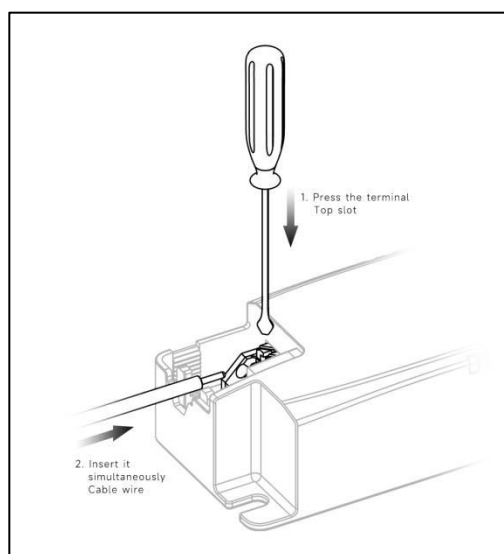
◆ Wiring diagram



◆ 2D diagram



Terminal



◆ Wiring & Connections

Specification item		Value (Unit)
Input	Input wire cross-section	0.5...1.5 mm ²
	Input wire gauge.	16...20 AWG
	Input wire strip length	7...9mm
Output	Output wire cross-section	0.5...1.5 mm ²
	Output wire gauge.	16...20 AWG
	Output wire strip length	7...9mm

◆ Recommended wire

Wire cross-section	Wire type
2*0.5mm ²	H03VVH2-F 2core
2*0.75mm ²	H03VVH2-F 2core
1.5mm ²	CCC 08(RV-90)
16AWG(1.25mm ²)	UL1015

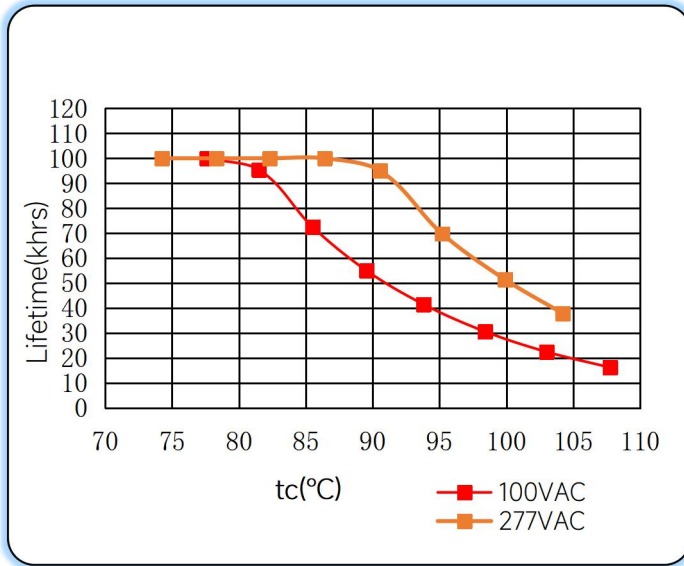
Note:Solid wire is risky to use on an angled terminal.Stranded wire is recommended for this kind of use.

◆ Packaging

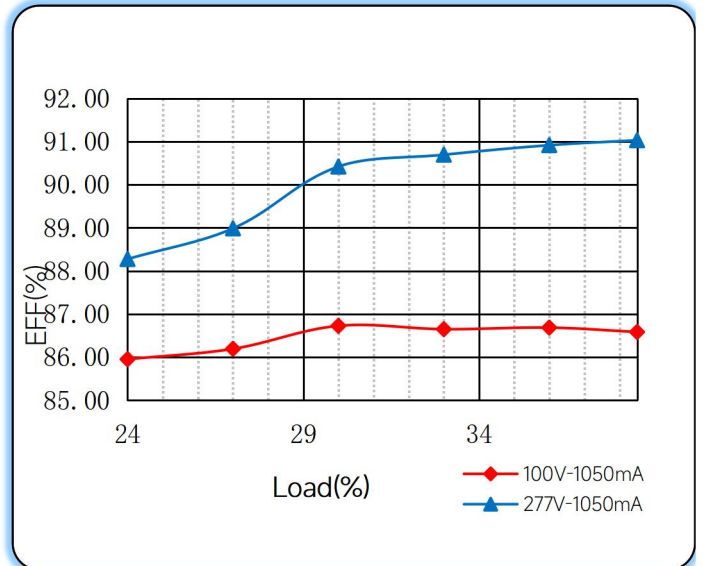
Model	Product Dimensions(mm)	weight/piece	Outer carton dimension(mm)	Quantity/carton	Net weight/carton(Kg)	Gross weight/carton(Kg)
LX-40-XXX LI EXC	135 x 41.2 x 25	0.104	370 x 277 x 215	108	11.2	11.85

◆ Curve for LX-40-1050 LI EXC, I_o=1050mA

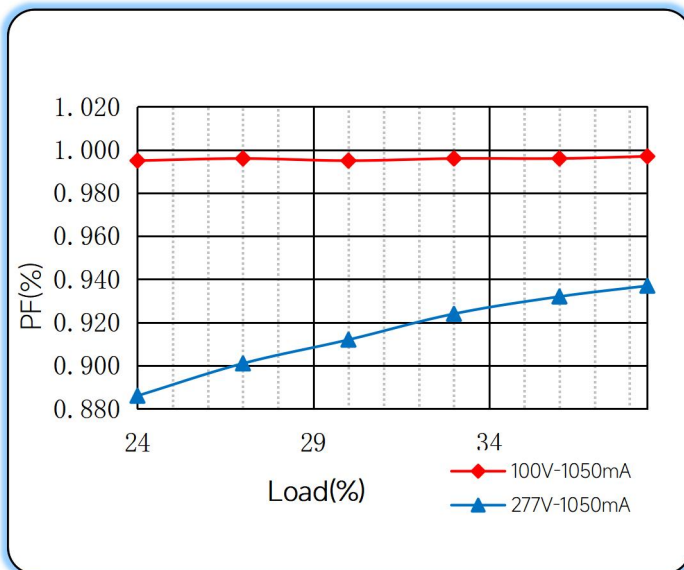
Lifetime vs. Temperature Curve



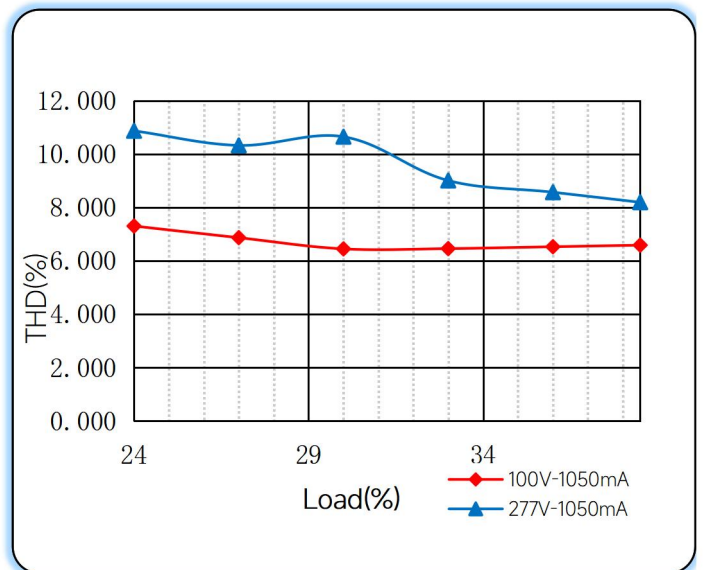
Efficiency vs. Load



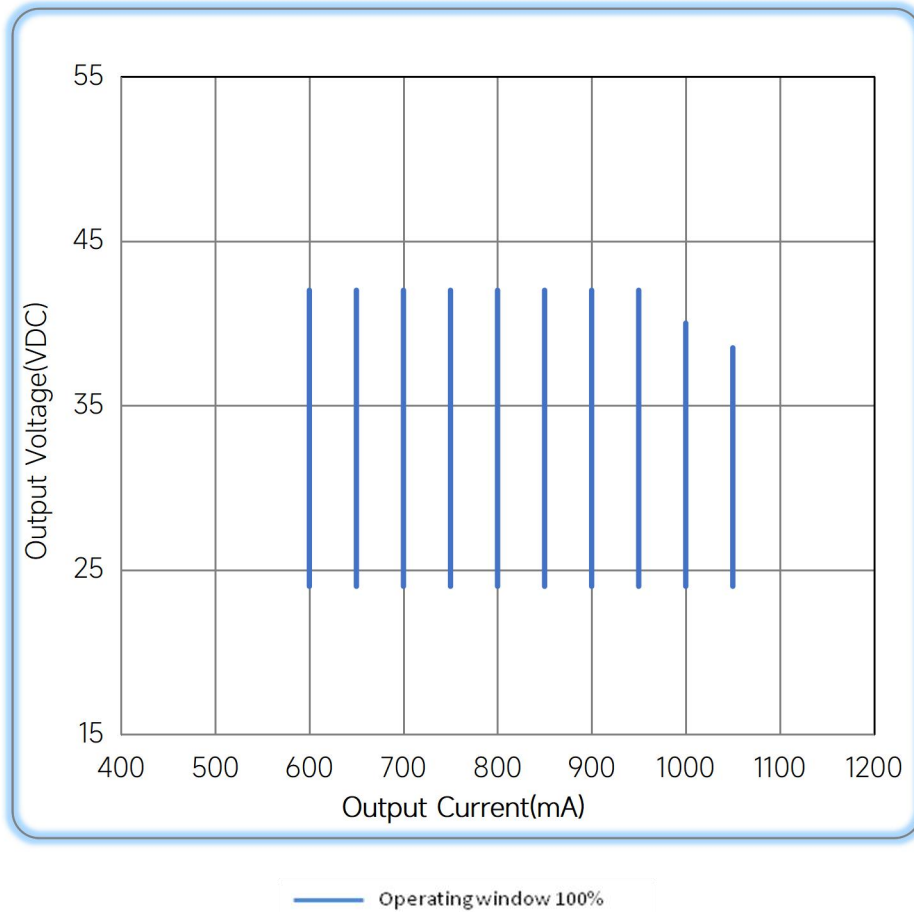
Power Factor Characteristics



THD vs. Load



◆ **Operating window**



◆ **Revision Updates**

ITEM	BEFORE	AFTER	VERSION	DATE
Initial			A	2025/01/09
Update			B	2025/12/24
Tc(@900mA)	85°C	90°C	C	2026/04/23

Remark: The final interpretation of the contents of the specification belongs to Eaglerise Electric & Electronic (China) Co., Ltd.

Tel: +86-0757-86256822, +86-0757-86256831

E-mail: sales@eaglerise.com

Website : <https://lighting.eaglerise.com>

